

**INSTRUCTION SHEET
BATTERY WARMER INSTALLATION**

**HOJA DE INSTRUCCIONES
INSTALACIÓN DEL CALENTADOR DE LA BATERÍA**

**FEUILLET D'INSTRUCTIONS
INSTALLATION DU CHAUFFE-BATTERIE**

Not
for
Reproduction

Not
for
Reproduction

RESERVED

Save These Instructions



SAVE THESE INSTRUCTIONS - This sheet contains important instructions that should be followed during installation and maintenance of the battery warmer.



- ▲ WARNING** Generator produces hazardous voltage. Failure to properly ground generator could result in electrocution.
- Failure to isolate generator from utility power could result in death or serious injury to electric utility workers due to backfeed of electrical energy.
- When using generator for backup power, notify utility company.
 - DO NOT touch bare wires or bare receptacles.
 - DO NOT use generator with electrical cords which are worn, frayed, bare or otherwise damaged.
 - DO NOT handle generator or electrical cords while standing in water, while barefoot, or while hands or feet are wet.
 - If you must work around a unit while it is operating, stand on an insulated dry surface to reduce the risk of a shock hazard.
 - DO NOT allow unqualified persons or children to operate or service generator.
 - In case of an accident caused by electrical shock, immediately shut down the source of electrical power and contact the local authorities. **Avoid direct contact with the victim.**
 - Despite the safe design of the generator, operating this equipment imprudently, neglecting its maintenance or being careless could cause possible injury or death.
 - Remain alert at all times while working on this equipment. Never work on the equipment when you are physically or mentally fatigued.
 - Before performing any maintenance on the generator, disconnect the battery cable indicated by a **NEGATIVE, NEG** or (-) first. When finished, reconnect that cable last.
 - After your system is installed, the generator may crank and start without warning any time there is a power failure. To prevent possible injury, always set the generator's system switch to **OFF**, remove the service disconnect from the disconnect box AND remove the 15 Amp fuse BEFORE working on the equipment.



▲ WARNING Storage batteries give off explosive hydrogen gas during recharging. Slightest spark will ignite hydrogen and cause explosion, resulting in death, serious injury and/or property damage.

- Battery electrolyte fluid contains acid and is extremely caustic. Contact with battery contents could cause severe chemical burns. A battery presents a risk of electrical shock and high short circuit current.
- DO NOT dispose of battery in a fire. Recycle battery.
 - DO NOT allow any open flame, spark, heat, or lit cigarette during and for several minutes after charging a battery.
 - DO NOT open or mutilate the battery.
 - Wear protective goggles, rubber apron, rubber boots and rubber gloves.
 - Remove watches, rings, or other metal objects.
 - Use tools having insulated handles.



▲ WARNING Contact with heated area of battery warmer could cause burns resulting in serious injury.

- Allow battery warmer to cool before touching.
- Heated area must be completely covered by battery.
- NO portion of the heated area can extend beyond the edge of the battery.
- NO air space between the heated area, battery, and battery tray or compartment base.
- DO NOT place battery over the wire connections.

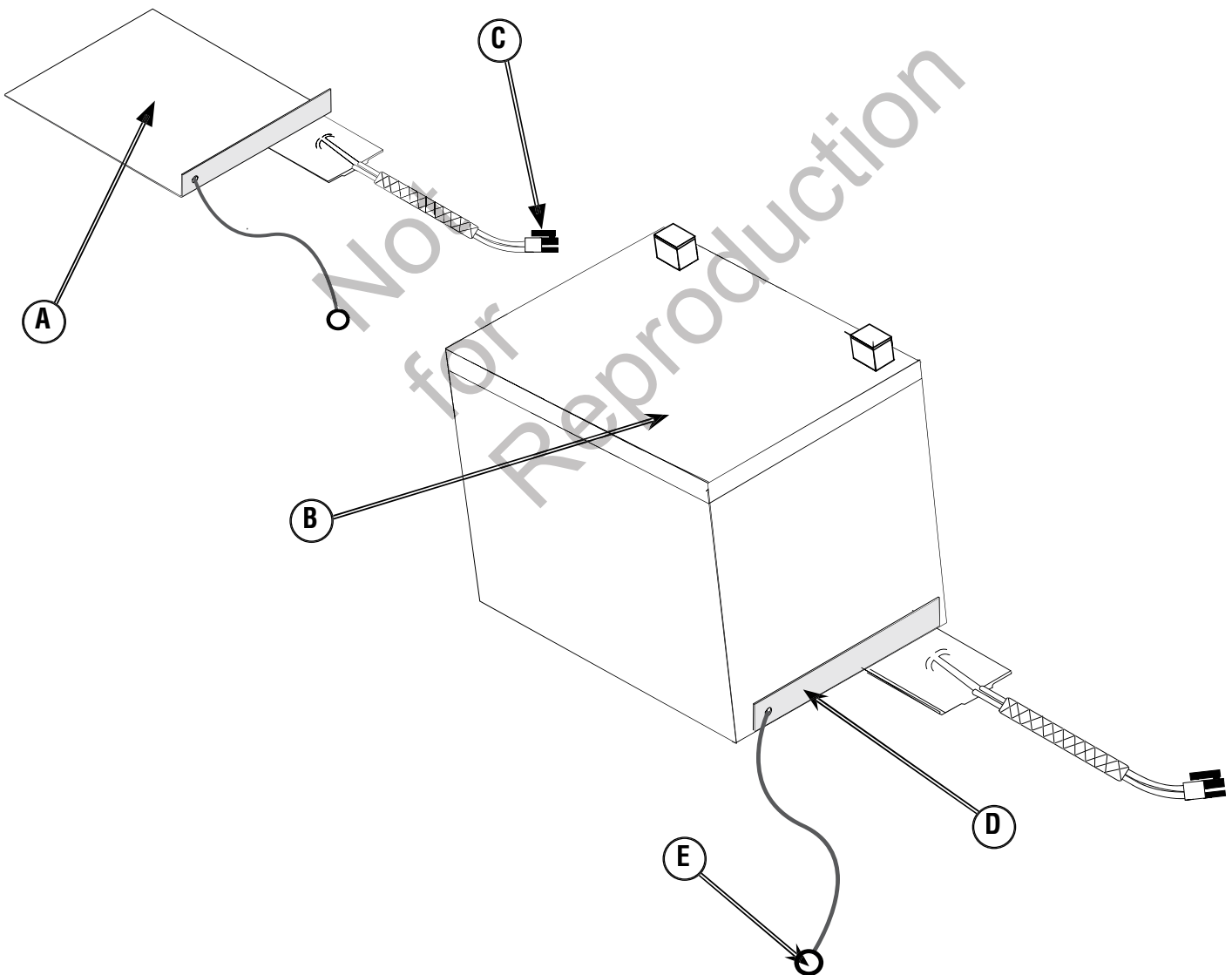
To install the battery warmer:

1. Set the generator's circuit breaker to the OFF position.
2. Set control panel system switch to OFF.
3. Remove the 15 Amp fuse from the system control panel.
4. Utility voltage is present at the control panel. Disconnect power before servicing the control panel by removing the fuses from the transfer switch.
5. Place battery warmer (A) in location where battery (B) is to be installed.
6. Remove tie wrap securing wiring harness 2-pin connector.
7. Plug battery warmer's 2-pin connector (C) into the wiring harness 2-pin connector.
8. Position battery against the base of the battery warmer. The lip (D) on the battery warmer must be positioned next to the battery as shown.

▲ WARNING Battery posts, terminals and related accessories contain lead and lead compounds, chemicals known to the State of California to cause cancer, birth defects, or other reproductive harm. Wash hands after handling.

NOTICE DO NOT place battery on top of battery warmer's wire connections or thermostat.

- NO portion of the warmer can extend beyond the edge of the battery.
 - NO air space between the warmer pad, battery, and battery tray or compartment base.
 - DO NOT place battery over battery connections.
9. Locate and remove an existing enclosure screw that is within reach of the ground lug (E). Insert screw through ground lug and reinstall.
 10. Install the battery as described in *Servicing the Battery* in the *Maintenance* section of the operator's manual.
 - ALWAYS connect the **NEGATIVE (-)** battery cable last.
 - Ensure the red **POSITIVE (+)** terminal insulator is fully in place.
 11. After all the servicing has been completed, replace fuses in transfer switch, replace 15 Amp fuse in the system control panel, set control panel system switch to ON and reset exercise timer. See *Setting Exercise Timer* in the operator's manual.



BRIGGS & STRATTON POWER PRODUCTS GROUP, LLC ACCESSORY WARRANTY POLICY

Effective March 1, 2011; replaces all undated Warranties and all Warranties dated before March 1, 2011.

LIMITED WARRANTY

Briggs & Stratton Power Products Group, LLC will repair or replace, free of charge, any part(s) of the accessory that is defective in material or workmanship or both. Transportation charges on product submitted for repair or replacement under this warranty must be borne by purchaser. This warranty is effective for the time periods and subject to the conditions stated below. For warranty service, find the nearest Authorized Service Dealer in our service center locator at BRIGGSandSTRATTON.COM.

THERE IS NO OTHER EXPRESS WARRANTY. IMPLIED WARRANTIES, INCLUDING THOSE OF MERCHANTABILITY AND FITNESS FOR A PARTICULAR PURPOSE, ARE LIMITED TO ONE YEAR FROM PURCHASE, OR TO THE EXTENT PERMITTED BY LAW. ANY IMPLIED WARRANTIES ARE EXCLUDED. LIABILITY FOR INCIDENTAL OR CONSEQUENTIAL DAMAGES ARE EXCLUDED TO THE EXTENT EXCLUSION IS PERMITTED BY LAW. Some states or countries do not allow limitations on how long an implied warranty lasts, and some states or countries do not allow the exclusion or limitation of incidental or consequential damages, so the above limitation and exclusion may not apply to you. This warranty gives you specific legal rights and you may also have other rights which vary from state to state or country to country.

WARRANTY PERIOD

Consumer Use	1 Year
Commercial Use	None

The warranty period begins on the date of purchase by the first retail end user, and continues for the period of time stated above. "Consumer use" means personal residential household use by a retail consumer. No other use is warranted.

NO WARRANTY REGISTRATION IS NECESSARY TO OBTAIN WARRANTY ON BRIGGS & STRATTON PRODUCTS. SAVE YOUR PROOF OF PURCHASE RECEIPT. IF YOU DO NOT PROVIDE PROOF OF THE INITIAL PURCHASE DATE AT THE TIME WARRANTY SERVICE IS REQUESTED, THE MANUFACTURING DATE OF THE PRODUCT WILL BE USED TO DETERMINE THE WARRANTY PERIOD.

ABOUT YOUR WARRANTY

We welcome warranty repair and apologize to you for being inconvenienced. Any Authorized Service Dealer may perform warranty repairs. Most warranty repairs are handled routinely, but sometimes requests for warranty service may not be appropriate. For example, warranty service would not apply if equipment damage occurred because of misuse, lack of routine maintenance, shipping, handling, warehousing or improper installation. Similarly, the warranty is void if the manufacturing date or the serial number on the accessory has been removed or the equipment has been altered or modified. During the warranty period, the Authorized Service Dealer, at its option, will repair or replace any part that, upon examination, is found to be defective under normal use and service. This warranty will not cover the following repairs and equipment:

- **Normal Wear:** Outdoor Power Equipment, like all mechanical devices, needs periodic parts and service to perform well. This warranty does not cover normal maintenance such as adjustments and cleaning.
- **Installation and Maintenance:** This warranty does not apply to equipment or parts that have been subjected to improper or unauthorized installation or alteration and modification, misuse, negligence, accident, overloading, improper maintenance, repair or storage so as, in our judgment, to adversely affect its performance and reliability.
- **Other Exclusions:** This warranty excludes wear items such as connectors, seals, batteries, or damage or malfunctions resulting from accidents, abuse, modifications, alterations, or improper servicing or freezing or chemical deterioration. This warranty excludes used, reconditioned, and demonstration equipment and failures due to acts of God and other force majeure events beyond the manufacturers control. 314878E, Rev -, 03/01/2011

BRIGGS & STRATTON POWER PRODUCTS GROUP, LLC
MILWAUKEE, WI, USA