

P03609

4550 / 3650 WATT RECOIL START
GAS PORTABLE GENERATOR
EPA AND cETL CERTIFIED

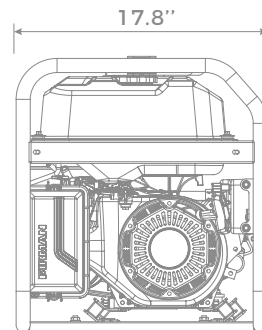
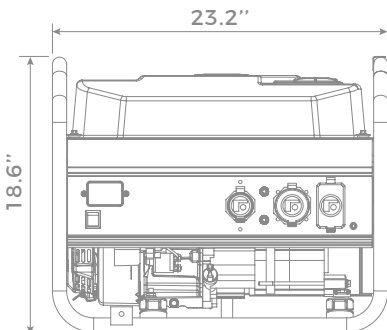
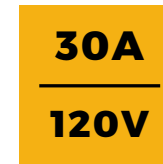
FIRMAN
POWER EQUIPMENT

8716 WEST LUDLOW DR. SUITE #6
PEORIA, AZ 85381
1-844-347-6261
WWW.FIRMANPOWEREQUIPMENT.COM

UPC // 840876136096
STARTING WATTS // 4550
RUNNING WATTS // 3650
VOLTAGE // 120V
FREQUENCY // 60Hz
ENGINE TYPE // OHV
STARTING SYSTEM // RECOIL
FUEL TANK SIZE // 5.0 GAL
RUN-TIME // UP TO 14 HRS (@50% LOAD)
DECIBLES // 67 dB (@7m @50% LOAD)
CARTON L×W×H // 24" × 18.1" × 19.9"
GROSS WEIGHT // 110 LBS.
UNIT WEIGHT // 101.5 LBS.
UNITS PER PALLET // 16
UNITS PER CONTAINER // 336 / 40HQ

CONTROL PANEL

(2) 5-20R 20A-120V
(1) TT-30R 30A-120V RV READY
(1) L5-30R 30A-120V TWIST LOCK



BEST USED FOR



FIRMAN 3650

FIRMAN Digital Display SPD-01
8888

4550 **3650**
STARTING WATTS
VATIOS DE ARRANQUE
PUISSANCE DE DÉMARRAGE
RUNNING WATTS
VATIOS DE CONTINUOS
PUISSANCE DE FONCTIONNEMENT



NEUTRAL BONDING TO FRAME
NEUTRO CONECTADO AL BASTIDOR
NEUTRE MIS À LA MASSE À LA CARCASSE DU MOTEUR

FIRMAN
READ EQUIPMENT'S
LIMITED INFORMATION

FIRMAN
SF210180953124

200 WATT 81.30 A 110000