

MLG8K | 1.13 L | 8.0 kVA

MOBILE DIESEL GENERATOR SET

EPA Emissions Certification: Final Tier 4



Standby Power Rating

9 kW, 9 kVA, 60 Hz

Prime Power Rating

8.1 kW, 8.1 kVA, 60 Hz



Picture shown may not reflect actual configuration.

Codes and Standards

Generac Mobile products are designed to the following standards:



CSA



NATM



TIER 4 FINAL EMISSIONS



ISO 8528-5

Power When and Where You Need It

Generac Mobile diesel generators are designed and engineered to power a variety of projects, in the most extreme environments. Gensets are configured to meet customer needs, including choice of containment, cold weather packages, trailer options, and more.

Generac Mobile diesel generators are manufactured to deliver reliable power, when and where you need it.

STANDARD FEATURES**ENGINE SYSTEM**

- Isolated Mounted Engine Supports
- Paper Element Air Filter with Safety Cartridge
- Fixed Speed Fan Drive
- Spin On Cartridge Oil Filter
- Level 1 Fan and Belt Guards
- Oil Drain Extension
- Factory Filled Oil and Coolant
- 440 CCA Wet Cell Battery

COOLING SYSTEM

- Capable of Operating at 120 °F (49 °C) Ambient
- Oil Filter: Spin-On Cartridge, Full Flow
- 50/50 Coolant (Ethylene Glycol)
- Factory Installed Radiator
- UV/Ozone Resistant Hoses
- Closed Coolant Recovery System

FUEL SYSTEM

- Fuel Tank Capacity – gal (L):
 - Total: 56.0 (212)
 - Usable: 55.8 (212)
- Fuel Cap with Lanyard
- Primary and Secondary Fuel Filters
- Fuel Level Gauge

CONTROL SYSTEM

- 40 A Start Limit Breaker – Ensures No Load Condition Exists Before Starting
- Engraved Aluminum Punched and Anodized Control Panel
- Key Activated Switch with Four Positions (Glow Plugs, Off, Run, Start)
- Hour Meter
- Automatic Shutdown for High Coolant Temperature and Low Oil Pressure

GENERATOR SYSTEM

- Brushless Excitation
- 2/3 Pitch
- Four Pole
- Class F Insulation
- Sealed Bearing
- Full Load Capacity Alternator

POWER DISTRIBUTION

- Convenience Receptacles with Individual Breakers
 - (2) 120 V, 20 A, GFCI, Duplex (NEMA 5-20R)
 - (1) 240 V, 30 A, Twistlock (NEMA L6-30R)

ENCLOSURE

- White Polyester Powder Paint (UV and Fade Resistant and High Temperature Cured)
- Fully Lockable Enclosure
- Exterior Emergency Stop Switch
- Multi Lingual Operating and Safety Decals
- Document Holder with Owner's Manual – Includes AC and DC Wiring Diagrams
- License Plate Holder with Light
- Stainless Steel Hinges, Door Latches, and Exterior Hardware

TRAILER

- DOT Approved Tail, Side, Brake, and Directional Lights; Recessed Rear Lights
- Illuminated License Plate
- Transportation Tie Downs
- Safety Chains with Spring Loaded Safety Hooks
- 2 in (50.8 mm) Ball Hitch
- Single Axle 2,200 lb (998 kg) Leaf Spring
- 2,000 lb (907 kg) Tongue Jack with Footplate
- 13 in (330 mm) Tires
- ST175/80D13 Tubeless Tires 6 ply
- Single Wall Polyethylene Fenders
- 48 in (1,219 mm) Track Width
- Plug Adapter Flat 4

WARRANTY

- 2 Years, 2,000 Hours (Unlimited Hours Covered in First Year)

CONFIGURABLE OPTIONS

ENGINE SYSTEM

- Positive Air Shutoff (Electronic)

COLD WEATHER

- 10 A Battery Charger
- Lower Radiator Hose Heater
- Fuel Filter Heater
- 60/40 Coolant (60% Ethylene Glycol)
- 720 CCA AGM Sealed Battery

FUEL SYSTEM

- Fuel & Engine Fluid Containment

CONTROL SYSTEM

- Lockable Battery Disconnect

ENCLOSURE

- Central Lift Point
- 5 lb. Fire Extinguisher
- LoJack Equipment Recovery System

TRAILER

- Combination 2 in. Ball/2.5 in. Pintle Hitch Adjustable
- 3 in. Pintle Ring Hitch Adjustable
- 2 in. Ball BULLDOG® Adjustable
- Spare Tire and Carrier
- Plug Adapter Flat 4 to Round 7 Spade
- Rear Stabilizer Jacks
- Toolbox: Black Polymer or Aluminum, 49×15×18.5 in (125×38×47 cm)

RATING DEFINITIONS

Standby: Applies to varying emergency load for the duration of a utility power outage.

Prime: Applies to supplying power to a varying load in lieu of utility for an unlimited amount of running time.

*Consult factory for availability

MLG8K | 1.12 L | 8 kW

MOBILE DIESEL GENERATOR SET

EPA Emissions Certification: Final Tier 4



APPLICATION AND ENGINEERING DATA

ENGINE SPECIFICATIONS

General

Make	Kubota D1105-E3BG
EPA Emissions Compliance	Tier IV Final
Aftertreatment System	None
Cylinder #	3
Type	In Line
Displacement	68.5 in ³ (1.2 L)
Bore – in (mm)	3.27 (83)
Stroke – in (mm)	3.64 (92.4)
Compression Ratio	17.6:1
Intake Air Method	Naturally Aspirated

Engine Governing

Governor	Mechanical
Frequency Regulation (Steady State)	<5%

Lubrication System

Oil Pump Type	Trochoid
Oil Filter Type	Spin-On Cartridge
Crankcase Capacity – qts (L)	3.5 (3.3)

Cooling System

Cooling System Type	Water Jacket
Water Pump Type	Belt Driven
Fan Type	Pusher
Fan Speed – rpm	1,800
Fan Diameter – in (mm)	12.99 (330)
Cooling System Capacity – qt (L)	4.5 (4.2)

Fuel System

Fuel Type	Ultra Low Sulfur Diesel
Fuel Specifications	ASTM Diesel Fuel Oil No.2 (JIS K2204 Gas Oil Specification No.2 or 3)
Fuel Pump Type	Gear
Injector Type	Direct Injection
Engine Type	Direct Injection
Fuel Supply Line Diameter – in (mm)	0.313 (7.9)
Fuel Return Line Diameter – in (mm)	0.313 (7.9)

Engine Electrical System

System Voltage	12 VDC
Battery Charger Alternator	60 A
Battery Size	440 CCA
Ground Polarity	Negative (-)

ALTERNATOR SPECIFICATIONS

Standard Model	Marathon Electric 332CSA/B3018
Poles	4
Field Type	Rotating
Insulation Class Rotor	F
Insulation Class Stator	F
Total Harmonic Distortion	12%
Telephone Interference Factor (TIF)	N/A

Standard Excitation	Brushless
Bearings	Single Bearing, Double Shielded
Coupling	Direct via Flexible Disc
Prototype Short Circuit Test	Yes
Voltage Regulator Type	AVR
Number of Sensed Phases	1
Regulation Accuracy (Steady State)	± 1%

MLG8K | 1.13 L | 8.0 kVA

MOBILE DIESEL GENERATOR SET

EPA Emissions Certification: Final Tier 4



OPERATING DATA

POWER RATINGS

	Standby: kW/kVA (A)	Prime: kW/kVA (A)
Single Phase, 120/240 VAC @ 1.0 PF	9/9 (37)	8.1/8.1 (33)

FUEL CONSUMPTION RATES

Diesel gph (Lph)	
Percent Load	Prime
50%	0.35 (1.32)
75%	0.53 (2.01)
100%	0.70 (2.65)

Deration – Operational characteristics consider maximum ambient conditions. Derate factors may apply under atypical site conditions.

Please consult a Generac Mobile Authorized Service Dealer for additional details. All performance ratings in accordance with ISO3046, BS5514, ISO8528, ISO8665, ISO3046, SAE J1228, SAE J1995, and DIN6271 standards.

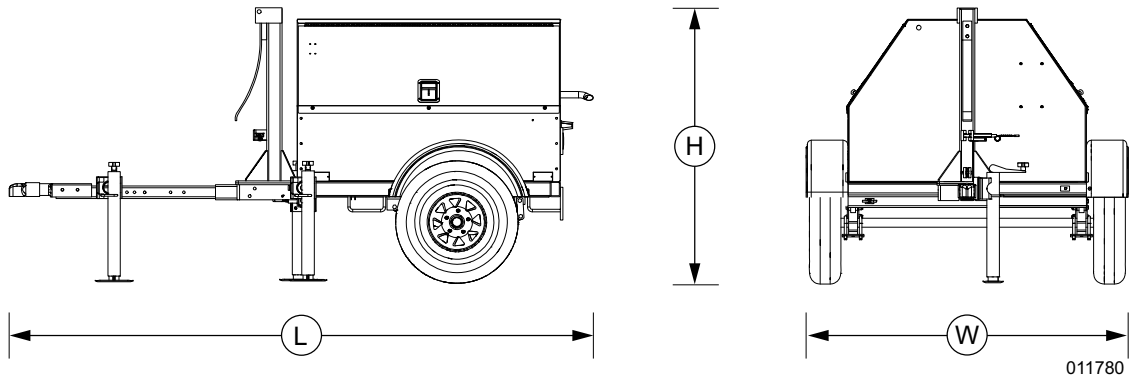
MLG8K | 1.12 L | 8 kW

MOBILE DIESEL GENERATOR SET

EPA Emissions Certification: Final Tier 4



DIMENSIONS AND WEIGHTS*



Run Time: Hr @ 100% PRP	Usable Fuel Capacity: Gal (L)	Dimensions – L×W×H: in (m)	Weight: lb (kg)
80	55.8 (212)	105×68×56 (2.67×1.73×1.42)	Dry: 1,030 (467) Operating: 1,250 (567)

* All measurements are approximate and for estimation purposes only.

YOUR FACTORY RECOGNIZED GENERAC MOBILE DEALER

Specification characteristics may change without notice. Dimensions and weights are for preliminary purposes only. Please consult a Generac Mobile Products Authorized Service Dealer for detailed installation drawings.