

# Generac Load Manager 100A

# GENERAC®

## GENERAC® LOAD MANAGEMENT 100 Amp Generac Load Manager

Model: G007006-1  
UPC: 696471077520



## FEATURES

Generac's Smart Power Management System is designed to optimize and protect the performance of a standby generator or PWRcell® energy storage system (ESS). The system can consist of up to eight individual Generac Load Managers (LM). Unlike other load management systems which depend on another control device, the LM's are self-aware and operate autonomously.

Frequency is the true measure of a generator's available capacity, and does not need to factor in increased ambient temperatures, elevation changes, or generator fuel type. The LM monitors the frequency (Hz) of the power being produced by Generac's standby generators or PWRcell ESS. If frequency falls below a certain threshold of a correctly sized system, the LM will automatically shed the managed loads to allow the system to recover.

The modules can be set to a load priority between 1–8, or be set in a lock-out only mode for loads which do not need to run in an outage. This reduces the size of the generator required, which lowers the total cost of acquisition.

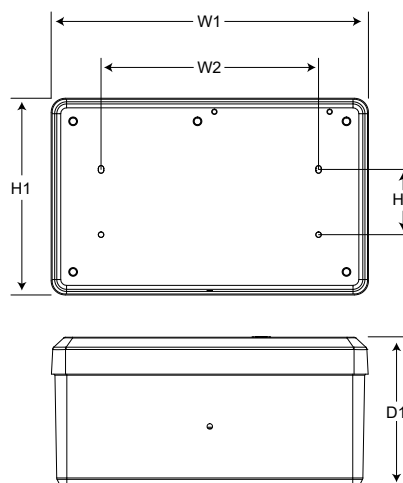
\* It is recommended to size the generator or PWRcell ESS with appropriate excess capacity to allow starting of the largest managed loads (i.e. loads with highest starting currents). Each managed load of the SACM and LM must be assigned a unique priority setting, so no two managed loads attempt to start simultaneously. See owner's manual for more information.

## LM SPECIFICATIONS

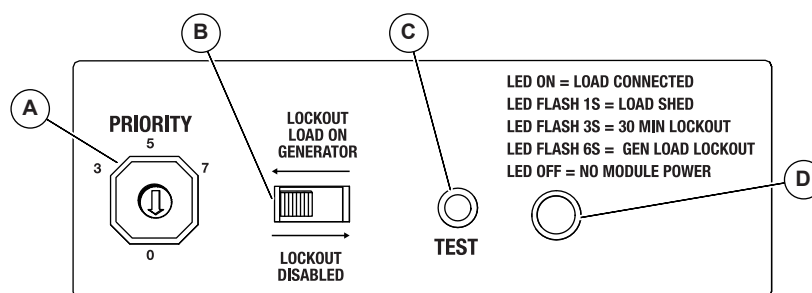
Power supply source	240 VAC (from line input)
Contact voltages	220/240 VAC
Contact coil voltage	240 VAC
Coil VA inrush	300
Coil VA sealed	35
Poles	2
Resistive amps	100
F/L Inductive amps	90
Locked rotor amps	540
NEMA	3R
Enclosure rating	UL 50
Frequency selectability	50 Hz / 60 Hz
Wire gauge range box lugs	1/0 to 8 AWG
Wire material	Cu
Coil pick up voltage	80%
Coil drop out voltage	20%
Maximum contact voltage	600VAC
Ambient temperature maximum	149 °F (65 °C)
Coil terminals	18 AWG
Warranty	3 year limited
Adjustable frequency sensitivity	Yes — 0.2 or 2.0 Hz

**Dimensions**

<b>Model</b>	<b>G007006-1</b>	
Height (in / mm)	H1	7.0 / 178.5
	H2	2.4 / 61
Width (in / mm)	W1	11.39 / 289.4
	W2	7.8 / 200
Depth (in / mm)	5.3 / 136.9	
Weight (lb / kg)	5.3 / 2.4	
Shipping weight (lb / kg)	5.8 / 3.62	



**LM Controls**



- Priority Dial (A)**                      Sets module priority.
- Lockout Switch (B)**                Prevents load from operating when system is operating under backup power.
- Test Button (C)**                     Disables contactor output for a specified time.
- LED (D)**                                Provides module status with easy viewing through the external viewing window located in the upper right corner of the module.