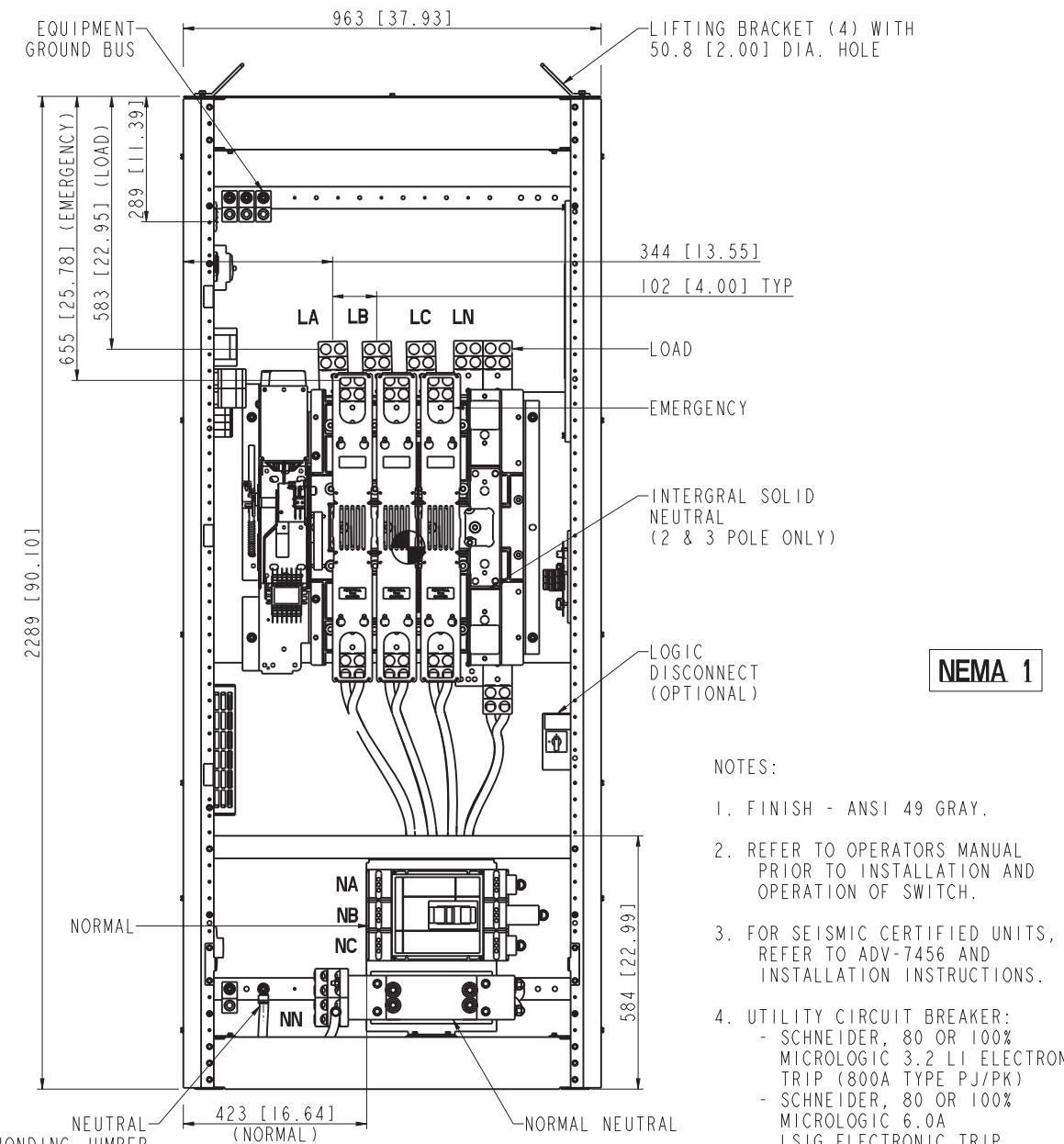
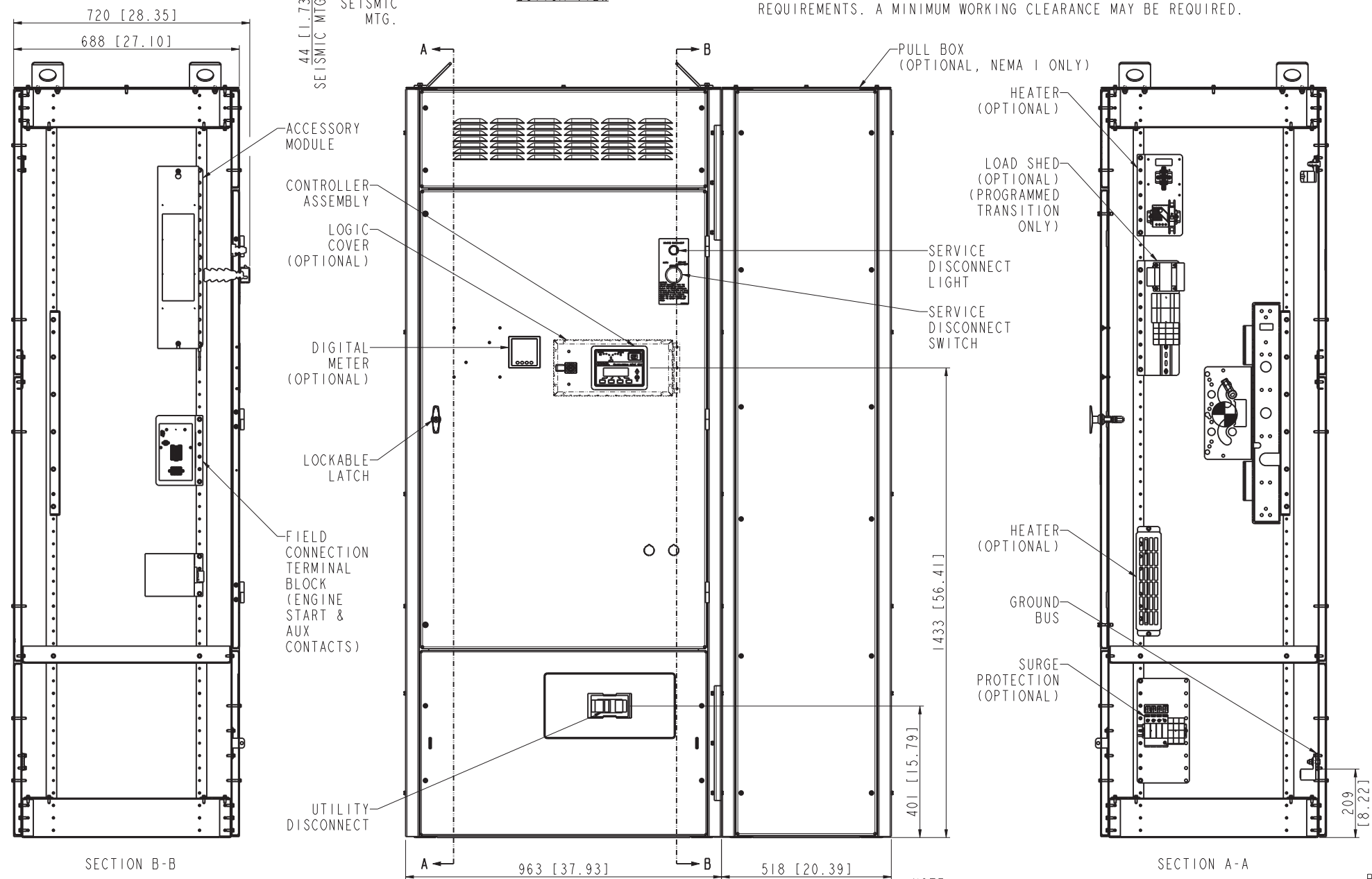
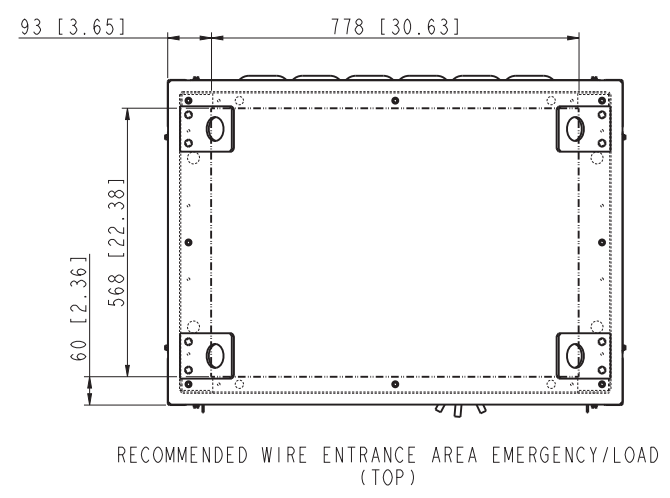
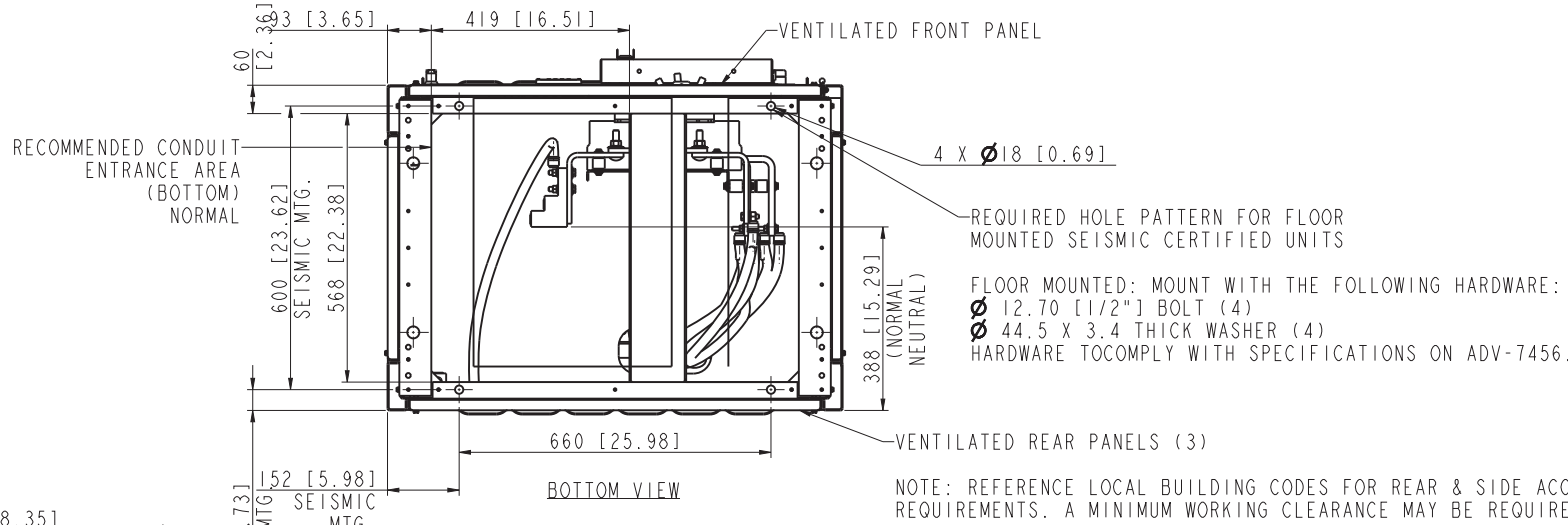


| WEIGHT KG [LBS] APPROX. |            |            |
|-------------------------|------------|------------|
| TRANSITION              | 3P         | 4P         |
| STANDARD                | 497 [1095] | 519 [1145] |
| PROG                    | 513 [1130] | 537 [1184] |



**NEMA 1**

- NOTES:
1. FINISH - ANSI 49 GRAY.
  2. REFER TO OPERATORS MANUAL PRIOR TO INSTALLATION AND OPERATION OF SWITCH.
  3. FOR SEISMIC CERTIFIED UNITS, REFER TO ADV-7456 AND INSTALLATION INSTRUCTIONS.
  4. UTILITY CIRCUIT BREAKER:
    - SCHNEIDER, 80 OR 100% MICROLOGIC 3.2 LI ELECTRONIC TRIP (800A TYPE PJ/PK)
    - SCHNEIDER, 80 OR 100% MICROLOGIC 6.0A LSIG ELECTRONIC TRIP (1000/1200A TYPE PJ/PK)

NOTE: ALLOW FOR MINIMUM DOOR SWING CLEARANCE OF 963 IN FRONT OF CABINET

| SWITCH RATING (AMPS) | SCREW TYPE TERMINALS FOR EXTERNAL POWER CONNECTION |  |                     |   |
|----------------------|--|--|---------------------|---|
|                      | EMERGENCY/LOAD PER PHASE                           | NORMAL   | NEUTRAL             | GROUND  |
| 800-1200 (4)         | 1/0 TO 750 MCM                                     | 800: (3) 3/0 TO 500 MCM<br>1000-1200: (4) 3/0 TO 500 MCM | (12) 1/0 TO 750 MCM | NEMA 1: (3) #4 TO 500 MCM<br>NEMA 3R/4/4X/12: (3) #4 TO 600 MCM or (6) 1/0 TO 250 MCM |

| SEE ADV-8565 FOR FULL MODEL CODE DEFINITION |             |            |            |          |       |           |              |           |            |                    |             |
|---|-------------|------------|------------|----------|-------|-----------|--------------|-----------|------------|--------------------|-------------|
| STYLE                                       | MECHANISM   | TRANSITION | MPAC LOGIC | VOLTS    | POLES | NEUTRAL   | ENCLOSURE    | AMPS      | CONNECTION | UTILITY DISCONNECT | FAULT LEVEL |
| KUS   | SERV. ENTR. | STD/PROG   | 1500       | 208-480V | 2/3/4 | SOLID, SW | 1/3R/4/4X/12 | 800       | STANDARD   | 80/100% ET         | STD         |
| KUS   | SERV. ENTR. | STD/PROG   | 1500       | 600V     | 2/3/4 | SOLID, SW | 1/3R/4/4X/12 | 800       | STANDARD   | 80/100% ET         | STD/HIGH    |
| KUS   | SERV. ENTR. | STD/PROG   | 1500       | 208-480V | 3/4   | SOLID, SW | 1/3R/4/4X/12 | 1000-1200 | STANDARD   | 80/100% ET         | STD         |
| KUS   | SERV. ENTR. | STD/PROG   | 1500       | 600V     | 3/4   | SOLID, SW | 1/3R/4/4X/12 | 1000-1200 | STANDARD   | 80/100% ET         | STD/HIGH    |

|     |           |   |     |
|-----|-----------|---|-----|
| REV | DATE      | ON COMPOSITE DWG, SEE PART NO. FOR REVISION LEVEL. (1) INDICATES PART NUMBERS AFFECTED BY LATEST DRAWING REVISION | BY  |
| -   | 30MAY2023 | NEW DRAWING [CT229803]  | NMD |
| A   | 08NOV2023 | (A,B,C-5,6) ADDED PULL BOX; ADDED DUAL DIM; (D-6) UPDATED SEISMIC NOTE; (D-1) UPDATED DUAL WEIGHT; [CT231463]     | ZHK |

THIRD ANGLE PROJECTION

MAJOR DIMENSIONS IN MILLIMETERS  
MINOR DIMENSIONS IN INCHES  
UNLESS OTHERWISE SPECIFIED:  
GENERAL TOLERANCES:  
2.0 ± 0.15 SURFACE FINISH  
ANGLE 45° ± 30° MAX.  
DIM. UNLESS OTHERWISE SPECIFIED

DO NOT SCALE. THIS ASSEMBLY OR PART MUST COMPLY WITH PEP-RML-001. REFERENCE CAD MODEL FOR UNSPECIFIED DIMENSIONS.

**KOHLER**

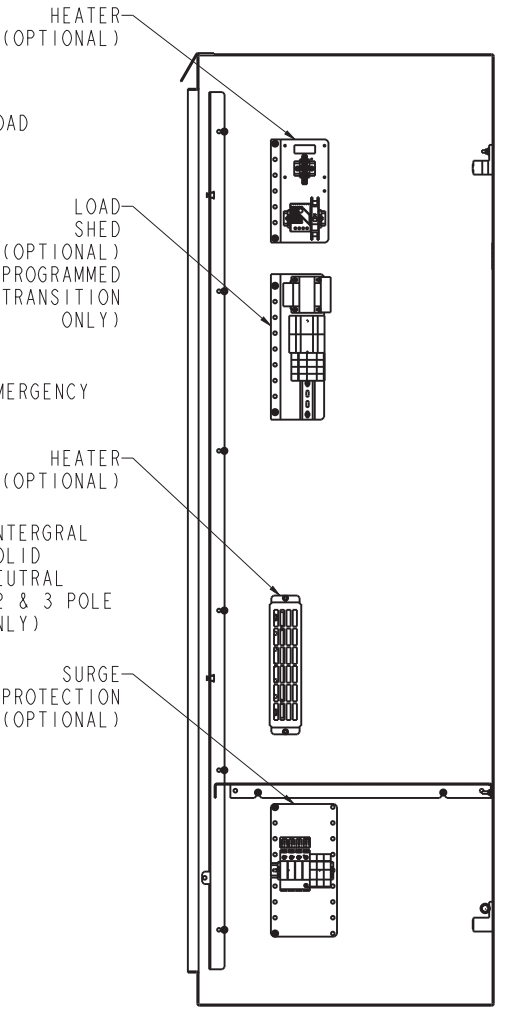
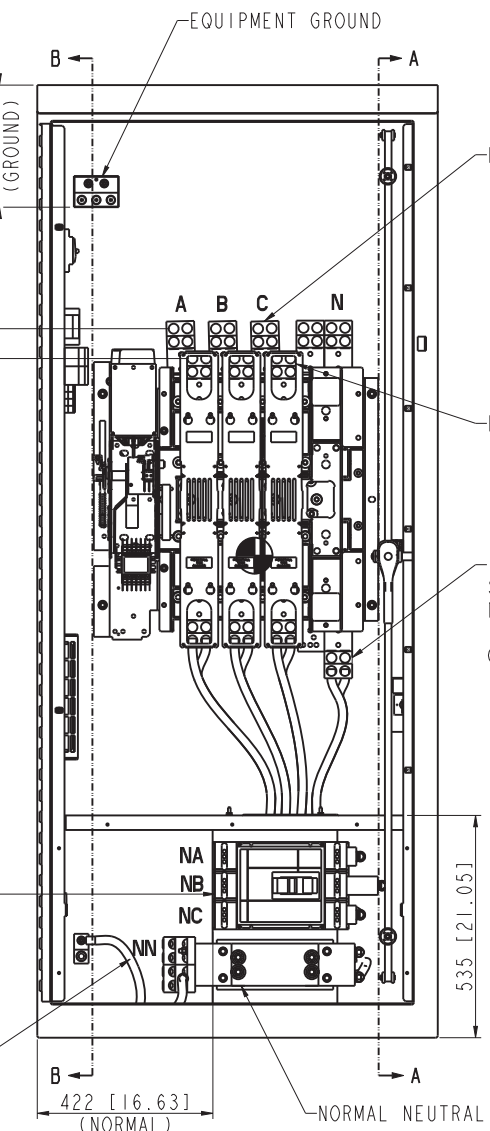
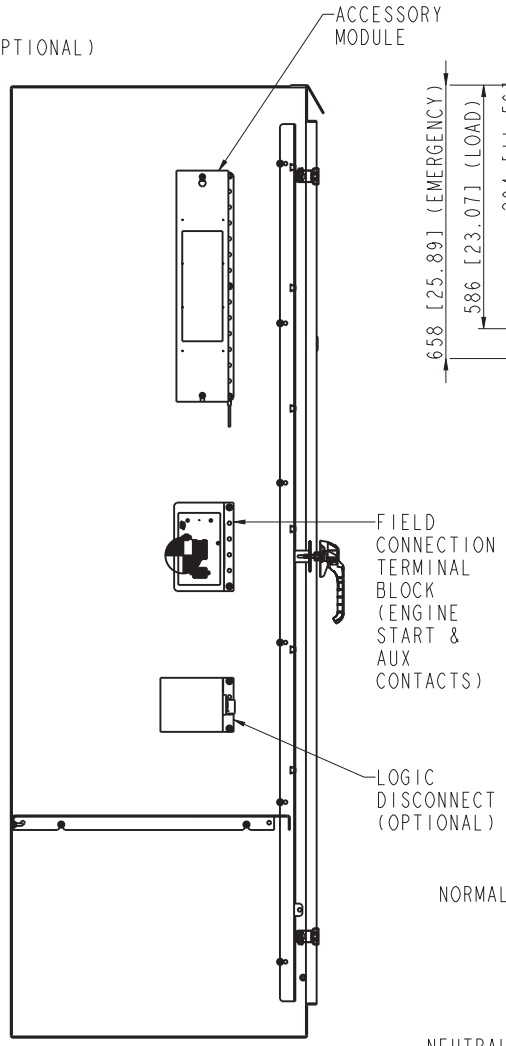
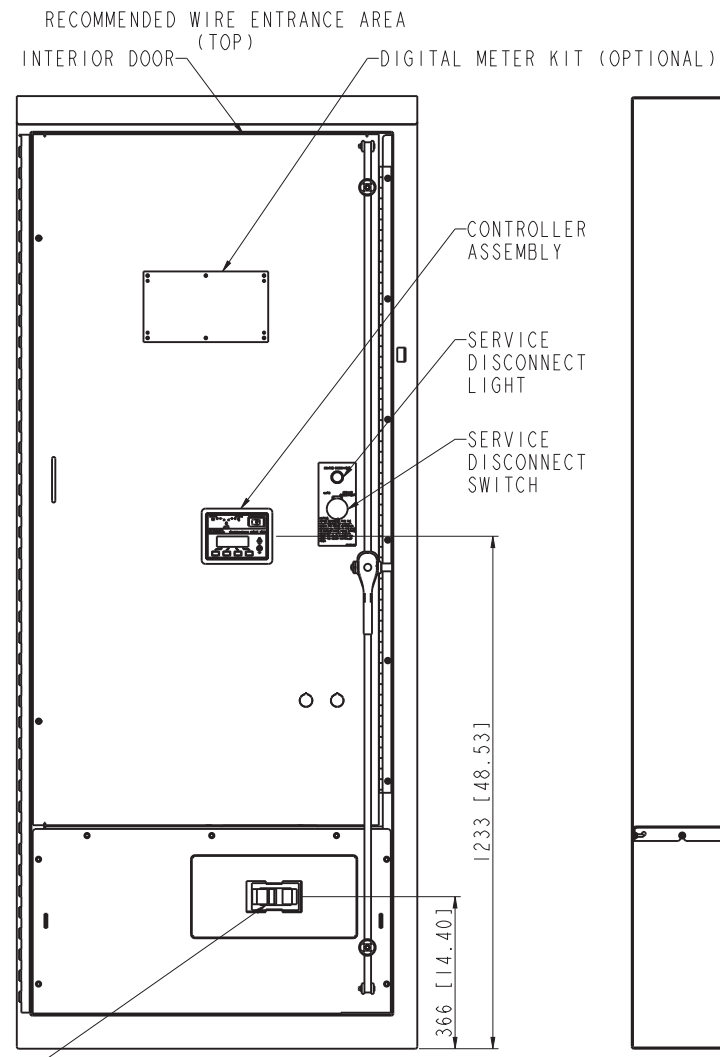
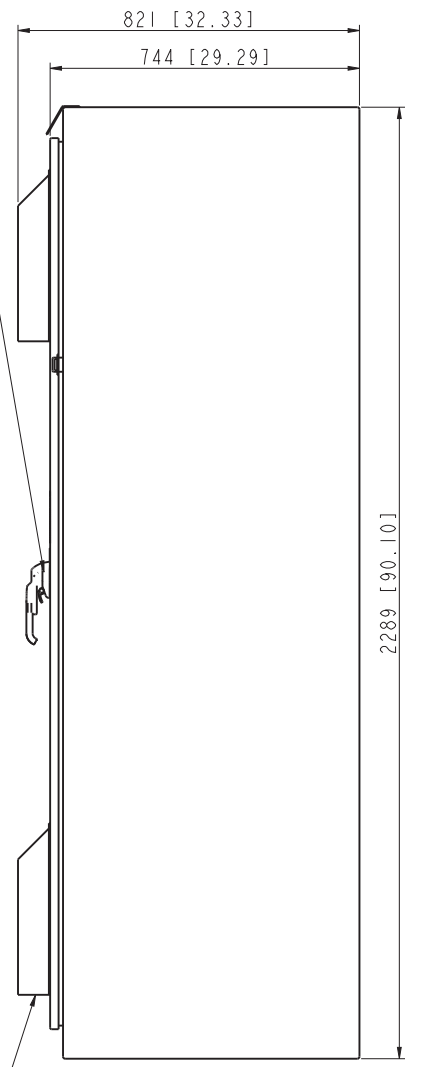
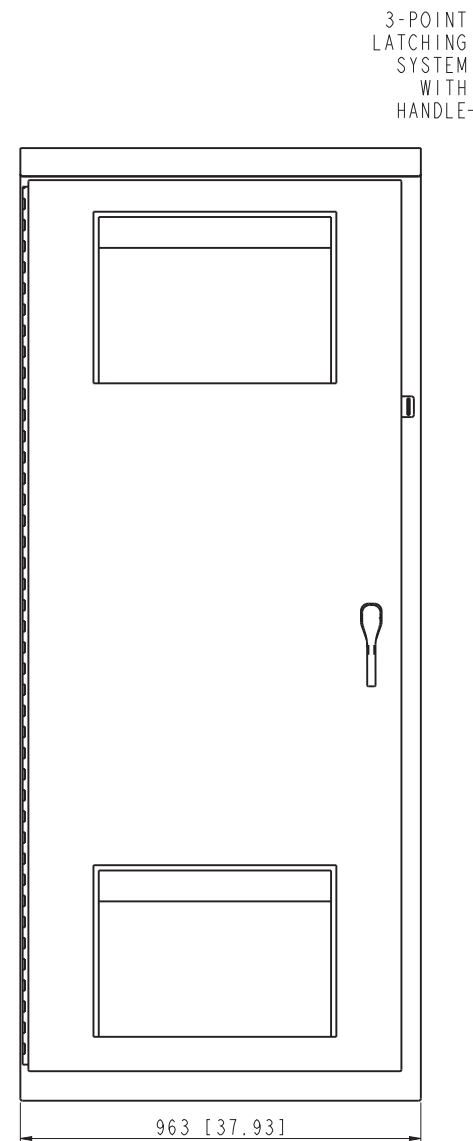
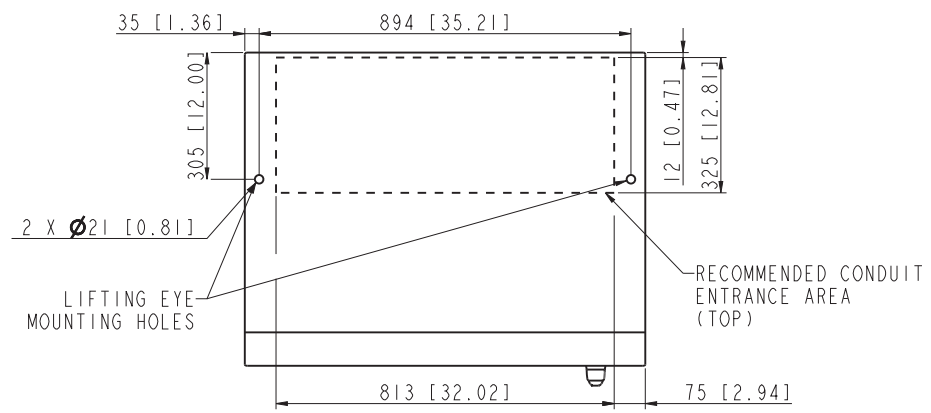
SCALE: 0.125 SHEET SIZE: D SHEET: 1 OF 3

Dimension Print, SE ATS  
800-1200A  
DWG NO.: ADV-9985

DATE: 30MAY2023

|                         |                       |
|-------------------------|-----------------------|
| WEIGHT KG [LBS] APPROX. |                       |
| TRANSITION              | 3P 4P                 |
| STANDARD                | 510 [1125] 533 [1175] |
| PROG                    | 526 [1160] 551 [1214] |

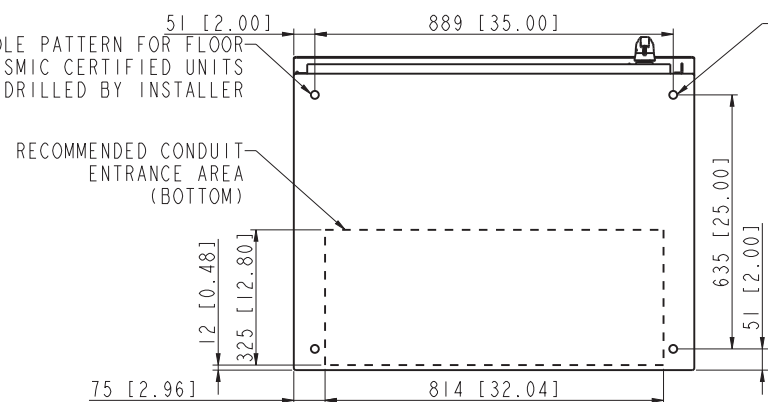
| SEE ADV-8565 FOR FULL MODEL CODE DEFINITION |             |            |            |          |       |           |              |           |            |                    |             |
|---|-------------|------------|------------|----------|-------|-----------|--------------|-----------|------------|--------------------|-------------|
| STYLE                                       | MECHANISM   | TRANSITION | MPAC LOGIC | VOLTS    | POLES | NEUTRAL   | ENCLOSURE    | AMPS      | CONNECTION | UTILITY DISCONNECT | FAULT LEVEL |
| KUS   | SERV. ENTR. | STD/PROG   | 1500       | 208-480V | 2/3/4 | SOLID, SW | 1/3R/4/4X/12 | 800       | STANDARD   | 80/100% ET         | STD         |
| KUS   | SERV. ENTR. | STD/PROG   | 1500       | 600V     | 2/3/4 | SOLID, SW | 1/3R/4/4X/12 | 800       | STANDARD   | 80/100% ET         | STD/HIGH    |
| KUS   | SERV. ENTR. | STD/PROG   | 1500       | 208-480V | 3/4   | SOLID, SW | 1/3R/4/4X/12 | 1000-1200 | STANDARD   | 80/100% ET         | STD         |
| KUS   | SERV. ENTR. | STD/PROG   | 1500       | 600V     | 3/4   | SOLID, SW | 1/3R/4/4X/12 | 1000-1200 | STANDARD   | 80/100% ET         | STD/HIGH    |



NOTE: ALLOW FOR MINIMUM DOOR SWING CLEARANCE OF 963 IN FRONT OF CABINET

REQUIRED HOLE PATTERN FOR FLOOR MOUNTING SEISMIC CERTIFIED UNITS HOLES TO BE DRILLED BY INSTALLER

SEISMIC CERTIFIED UNITS MOUNT WITH THE FOLLOWING HARDWARE:  
 Ø 12.70 [1/2"] BOLT (4)  
 Ø 44.5 X 3.4 THICK WASHER (4)  
 HARDWARE TO COMPLY WITH SPECIFICATIONS ON ADV-7456.



| SWITCH RATING (AMPS) | SCREW TYPE TERMINALS FOR EXTERNAL POWER CONNECTION |  |                         |   |
|----------------------|--|--|-------------------------|---|
|                      | EMERGENCY/LOAD PER PHASE                           | NORMAL   | NEUTRAL                 | GROUND  |
| 800-1200 (4)         | 1/0 TO 750 MCM                                     | 800: (3) 3/0 TO 500 MCM<br>1000-1200: (4) 3/0 TO 500 MCM | MCM (12) 1/0 TO 750 MCM | NEMA 1: (3) #4 TO 500 MCM<br>NEMA 3R/4/4X/12: (3) #4 TO 600 MCM or (6) 1/0 TO 250 MCM |

**NEMA 3R**

- NOTES:
- FINISH - ANSI 49 GRAY.
  - REFER TO OPERATORS MANUAL PRIOR TO INSTALLATION AND OPERATION OF SWITCH.
  - FOR SEISMIC CERTIFIED UNITS, REFER TO ADV-7456 AND INSTALLATION INSTRUCTIONS.
  - UTILITY CIRCUIT BREAKER:
    - SCHNEIDER, 80 OR 100% MICROLOGIC 3.2 LI ELECTRONIC TRIP (800A TYPE P/PK)
    - SCHNEIDER, 80 OR 100% MICROLOGIC 6.0A LSIG ELECTRONIC TRIP (1000/1200A TYPE P/PK)

| REV | DATE      | ON COMPOSITE DWG, SEE PART NO. FOR REVISION LEVEL. (1) INDICATES PART NUMBER AFFECTED BY LATEST DRAWING REVISION   | BY  |
|-----|-----------|--|-----|
| -   | 30MAY2023 | NEW DRAWING [CT229803]   | NMD |
| A   | 08NOV2023 | (A-4) UPDATED SEISMIC NOTE; (A-5-6) DIM 35.00 WAS 33.94; 25.00 WAS 24.05; (B-3) ADDED PHASE LABELS; (A-3) UPDATED DUAL WEIGHT; ADDED DUAL DIM; ADDED KUSTKUP & TERMINAL DETAIL TABLE; [CT231465] | ZHK |

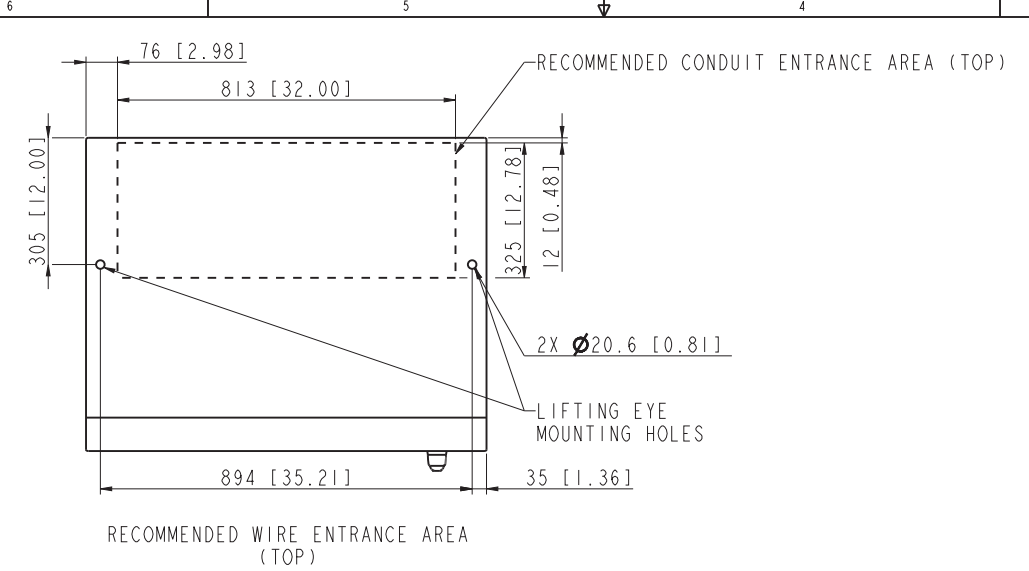
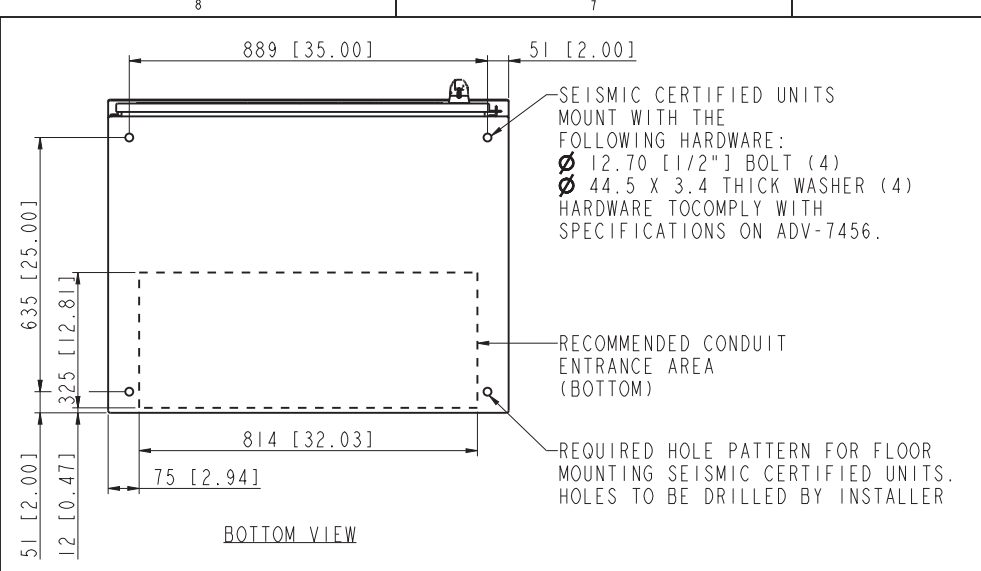
DO NOT SCALE. THIS ASSEMBLY OR PART MUST COMPLY WITH PEP-RML-001. REFERENCE CAD MODEL FOR UNSPECIFIED DIMENSIONS.

**KOHLER**

SCALE: 0.110 SHEET SIZE: D SHEET: 2 OF 3

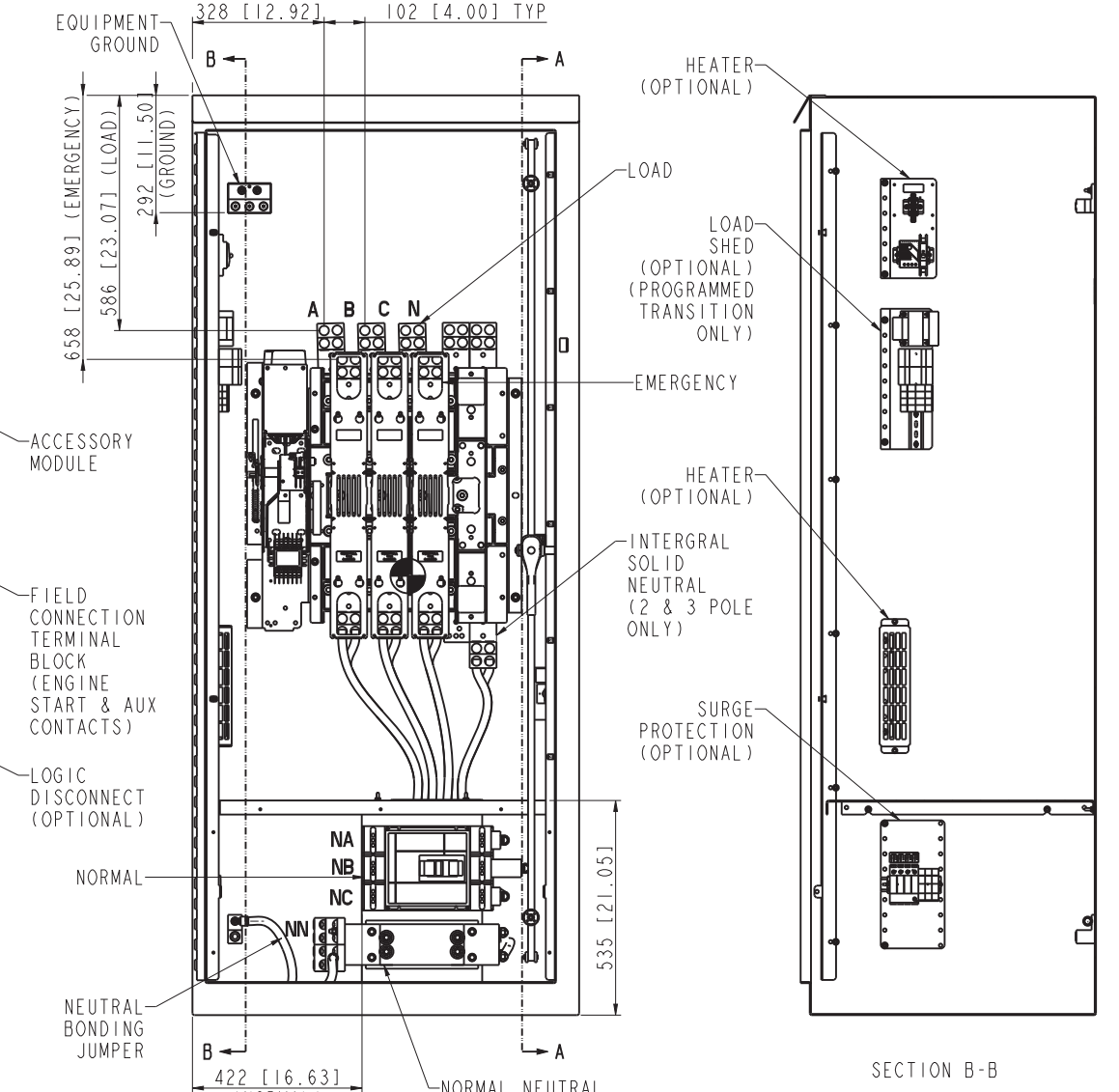
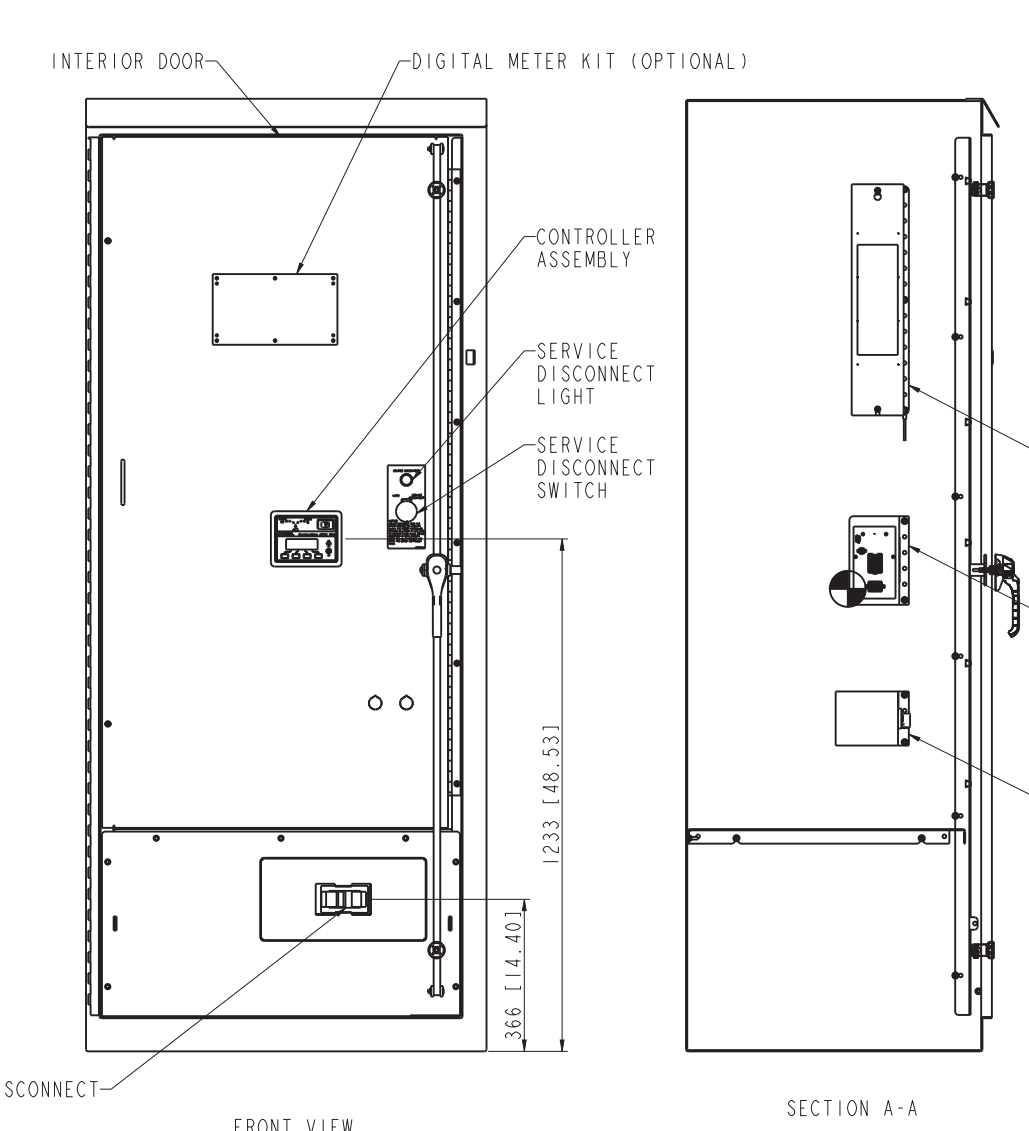
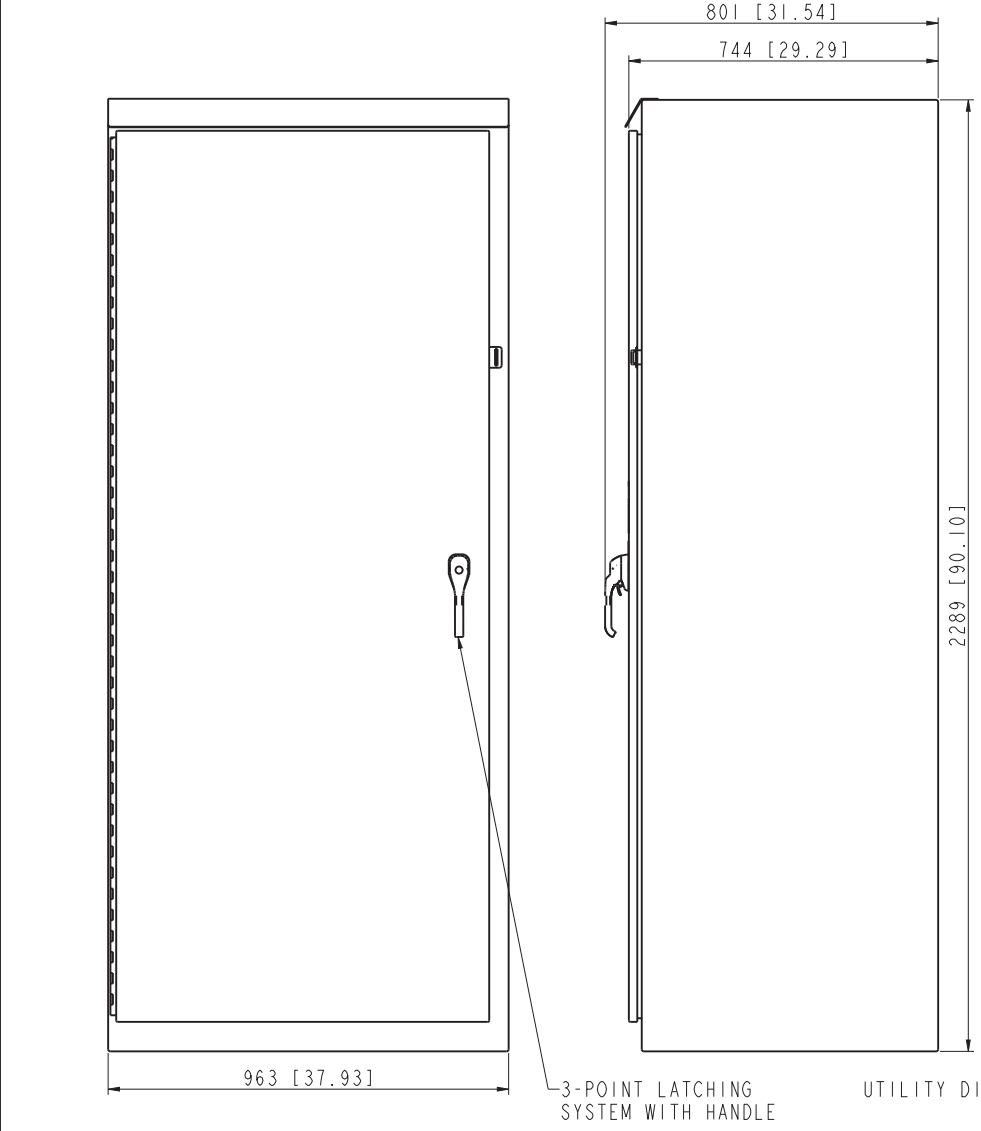
Dimension Print, SE ATS 800-1200A

DWG NO.: ADV-9985



| WEIGHT KG [LBS] APPROX. |            |            |
|-------------------------|------------|------------|
| TRANSITION              | 3P         | 4P         |
| STANDARD                | 526 [1160] | 549 [1210] |
| PROG                    | 542 [1195] | 567 [1249] |

- NOTES:
- FINISH: ANSI 49 GRAY (NEMA 4 & I2) NONE (NEMA 4X)
  - REFER TO OPERATOR'S MANUAL PRIOR TO INSTALLATION AND OPERATION OF UNIT.
  - FOR SEISMIC CERTIFIED UNITS, REFER TO ADV-7456 AND INSTALLATION INSTRUCTIONS.
  - UTILITY CIRCUIT BREAKER:
    - SCHNEIDER, 80 OR 100% MICROLOGIC 3.2 LI ELECTRONIC TRIP (800A TYPE PJ/PK)
    - SCHNEIDER, 80 OR 100% MICROLOGIC 6.0 A LSIG ELECTRONIC TRIP (1000/1200A TYPE PJ/PK)



NOTE:  
 ALLOW FOR MINIMUM DOOR SWING CLEARANCE OF 963 IN FRONT OF CABINET

| SWITCH RATING (AMPS) | SCREW TYPE TERMINALS FOR EXTERNAL POWER CONNECTION |  |                     |   |
|----------------------|--|--|---------------------|---|
|                      | EMERGENCY/LOAD PER PHASE                           | NORMAL   | NEUTRAL             | GROUND  |
| 800-1200             | (4) 1/0 TO 750 MCM                                 | 800: (3) 3/0 TO 500 MCM<br>1000-1200: (4) 3/0 TO 500 MCM | (12) 1/0 TO 750 MCM | NEMA 1: (3) #4 TO 500 MCM<br>NEMA 3R/4/4X/12: (3) #4 TO 600 MCM or (6) 1/0 TO 250 MCM |

| SEE ADV-8565 FOR FULL MODEL CODE DEFINITION |             |            |            |          |       |           |              |           |            |                    |             |
|---|-------------|------------|------------|----------|-------|-----------|--------------|-----------|------------|--------------------|-------------|
| STYLE                                       | MECHANISM   | TRANSITION | MPAC LOGIC | VOLTS    | POLES | NEUTRAL   | ENCLOSURE    | AMPS      | CONNECTION | UTILITY DISCONNECT | FAULT LEVEL |
| KUS   | SERV. ENTR. | STD/PROG   | 1500       | 208-480V | 2/3/4 | SOLID, SW | 1/3R/4/4X/12 | 800       | STANDARD   | 80/100% ET         | STD         |
| KUS   | SERV. ENTR. | STD/PROG   | 1500       | 600V     | 2/3/4 | SOLID, SW | 1/3R/4/4X/12 | 800       | STANDARD   | 80/100% ET         | STD/HIGH    |
| KUS   | SERV. ENTR. | STD/PROG   | 1500       | 208-480V | 3/4   | SOLID, SW | 1/3R/4/4X/12 | 1000-1200 | STANDARD   | 80/100% ET         | STD         |
| KUS   | SERV. ENTR. | STD/PROG   | 1500       | 600V     | 3/4   | SOLID, SW | 1/3R/4/4X/12 | 1000-1200 | STANDARD   | 80/100% ET         | STD/HIGH    |

**NEMA 4/4X/12**

| REV | DATE      | DESCRIPTION   | BY  |
|-----|-----------|---|-----|
| -   | 30MAY2023 | NEW DRAWING [CT229803]  | NMD |
| A   | 08NOV2023 | (D-7) UPDATED SEISMIC NOTE; (D-6-8) DIM 35.00 WAS 33.93; 25.00 WAS 24.07; (D-3) ADDED PHASE LABELS; (A-4) UPDATED DUAL HEIGHT; ADDED DUAL DIM; ADDED KUST/KUP & TERMINAL DETAIL TABLE; [CT231465] | ZHK |

APPROVED: [Signature] DATE: 30MAY2023

DO NOT SCALE. THIS ASSEMBLY OR PART MUST COMPLY WITH PEP-RML-001. REFERENCE CAD MODEL FOR UNSPECIFIED DIMENSIONS.

**KOHLER**

SCALE: 0.110 SHEET SIZE: D SHEET: 3 OF 3

Dimension Print, SE ATS 800-1200A

DWG NO.: ADV-9985