

THIS KIT WORKS BEST IF THE TRACTOR PTO SHAFT HEIGHT FROM THE GROUND IS NO MORE THAN 19.5"

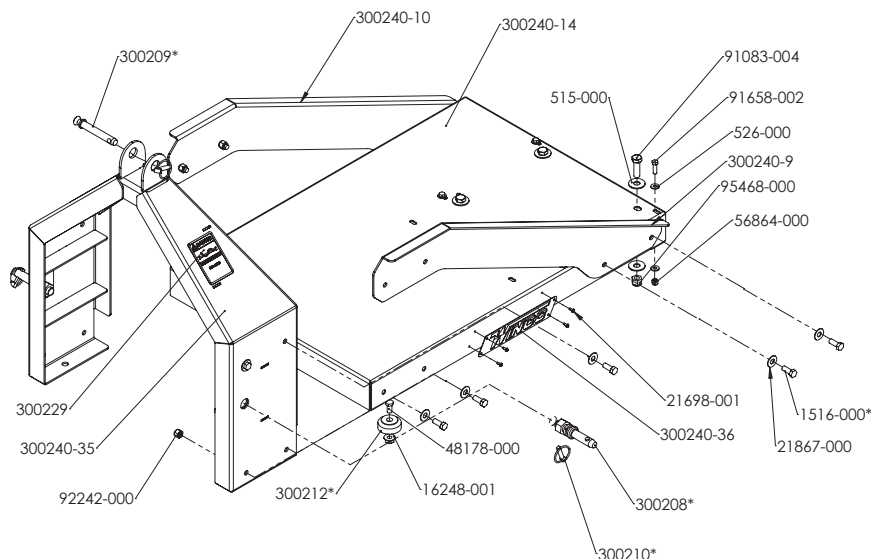
REQUIRED TOOLS:

TAPE MEASURE

SCREW DRIVER (any size)

SOCKET & WRENCH SIZES:

- 3/4 IN
- 1 1/4 IN

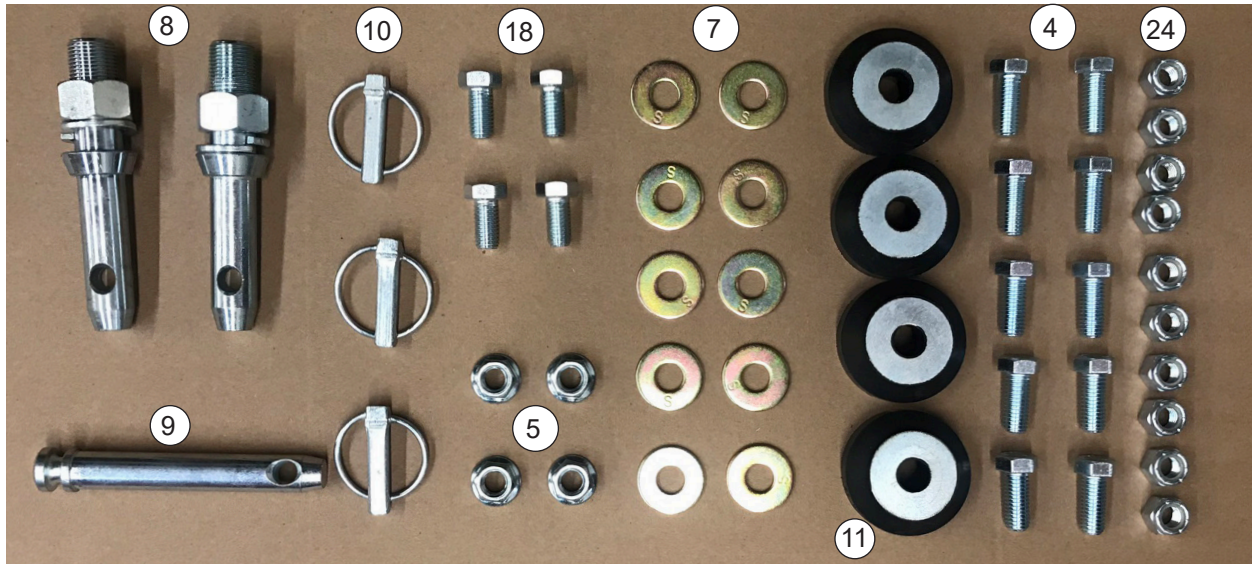


Item No.	Part Number	Description	Qty
4	1516-000	.5-13 x 1.25 HHCS	10*
5	16248-001	.5-13 Flange Nut	4*
6	21698-001	Torx Pan Head Screw # 10	12
7	21867-000	Flat Washer	10*
8	300208	Pin, Draw	2*
9	300209	Pin, Top Link	1*
10	300210	Lynch Pin	3*
11	300212	Isolator, Neoprene,40 Duro	4*
12	300229	Decal - Driveline	1
13	300240-9	TPH260 Left Strut	1
14	300240-10	TPH260 Right Strut	1
15	300240-14	TPH260 Main Frame	1
16	300240-35	Support Arm Assembly	1
17	300240-36	TDM90 WINCO License Plate	3
18	48178-000	HHCS 1/2-13 x 1	4*
19	515-000	Flat washer 5/8 x 1.75	8*
20	526-000	Washer ID .375 OD .890	8*
21	56864-000	Nut Hex .500-13 Nylock	10*
22	91083-004	.625-11 x 2 HHCS GR5	4*
23	91658-002	HHCS 3/8-16 x 1.25	4*
24	92242-000	Nut Hex .500-13 Nylock	10*
25	95468-000	.625-11 Nylock	4*

* Located in Parts Bag 97109-000

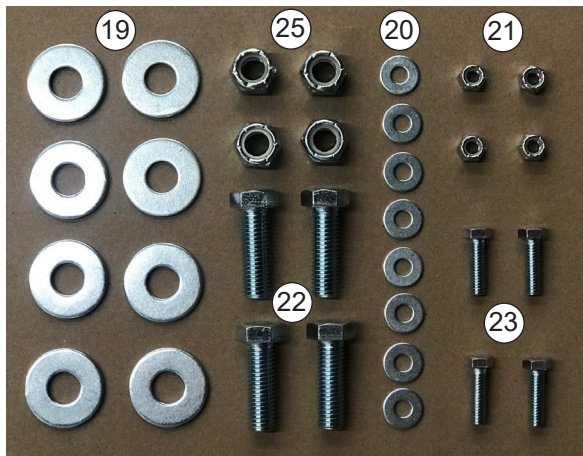
PARTS BAG

Parts Bag Part number 97109-000



Item No.	Part Number	Description	Qty
4	1516-000	.5-13 x 1.25 HHCS	10
5	16248-001	.5-13 Flange Nut	4
7	21867-000	Flat Washer	10
8	300208	Pin, Draw	2
9	300209	Pin, Top Link	1
10	300210	Lynch Pin	3
11	300212	Isolator, Neoprene,40 Duro	4
18	48178-000	HHCS 1/2-13 x 1	4
24	92242-000	Nut Hex .500-13 Nylock	10

Parts For Installing Generator to Base

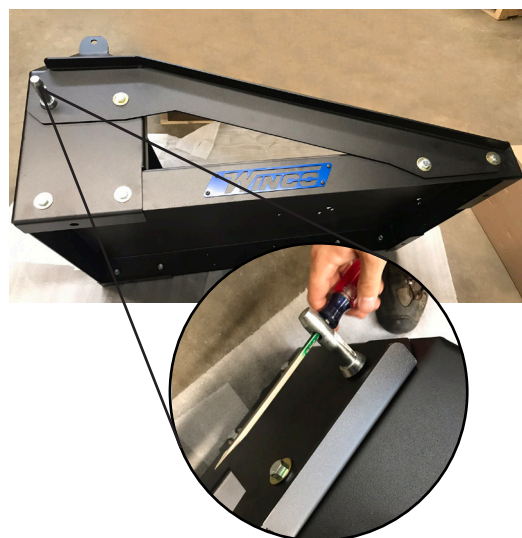


Item No.	Part Number	Description	Qty
19	515-000	Flat washer 5/8 x 1.75	8
20	526-000	Washer ID .375 OD .890	8
21	56864-000	Nut Hex 3/8-16 Nylock	4
22	91083-004	.625-11 x 2 HHCS GR5	4
23	91658-002	HHCS 3/8-16 x 1.25	4
25	95468-000	.625-11 Nylock	4

STEP 1

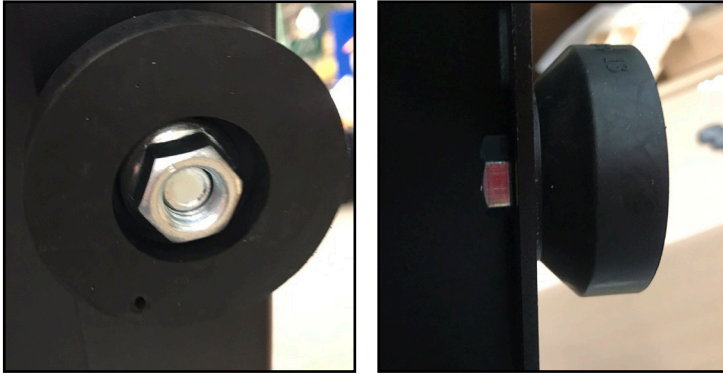
Note: These are heavy components and the assistance of another person might be required for this step.

- With the support arm assembly (16) upright, slide the TPH260 main frame into the grooves of the arm assembly. Ensure the generator installation holes are on the opposite side of the arm assembly.
- Flip the TPH260 main frame and arm assembly on its side. Fasten the arm assembly to the TPH260 main frame using 2 x 1516-000 (4), 2 x 21867-000 (7), and 2 x 92242-000 (24). Hand tighten.
- Install the right or left strut (13 or 14), depending on the side that is up. Use 3 x 1516-000 (4), 3 x 21867-000 (7), 3 x 92242-000 (24) to fasten the strut to the main frame and the support arm assembly (16). The draw pins, 300208 (8), come with the washer and nut attached. Remove the nut and washer and install into the bracket holes of the support arm assembly (16). Insert a 300210 (10) to both draw pins.
- Flip the TPH260 on its other side and repeat instructions to install the assembly arm to the base and the other strut. Once all bolts are installed in this step, they all can be securely tightened.



STEP 2

- Install the isolators (11) to the bottom of the main frame (15).



STEP 3

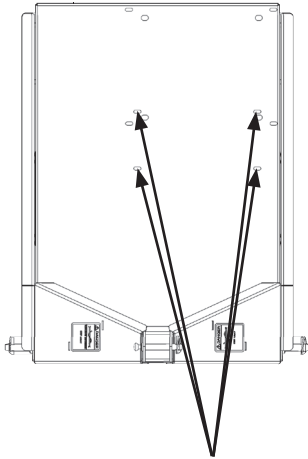
- Install the 300209 (9) into the support arm assembly (16). Insert a 300210 (10) to the 300209 (9).



STEP 4

- Install the generator using the coordinating parts.

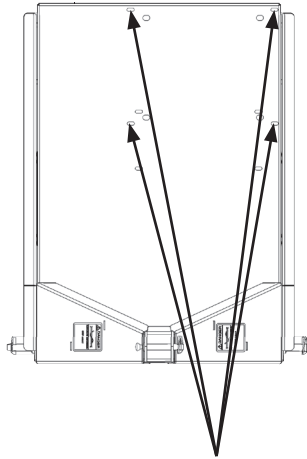
27PTOC4
27PTOT4



MOUNTING LOCATIONS

PARTS:
91658-002
526-000
56864-000

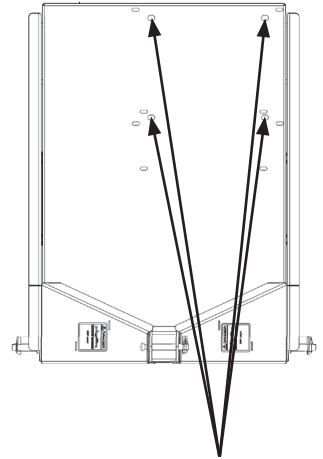
30PTOC4
30PTOT4
35PTOC4
35PTOT4



MOUNTING LOCATIONS

PARTS:
91658-002
526-000
56864-000

50PTOC4
50PTOT4
55PTOC4
55PTOT4



MOUNTING LOCATIONS

PARTS:
91083-004
515-000
95468-000

COMPLETED TPH260

